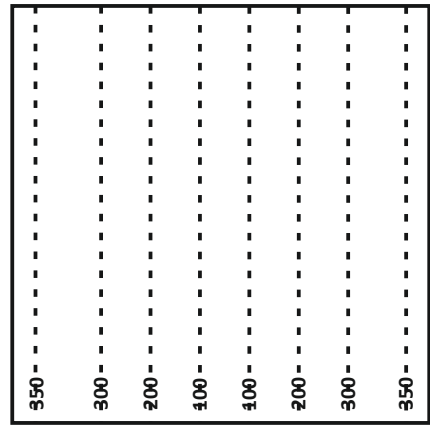
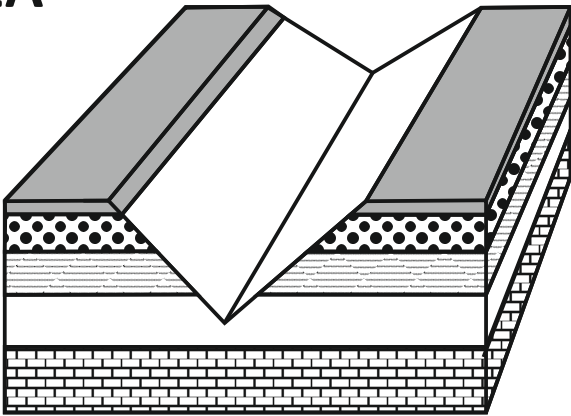
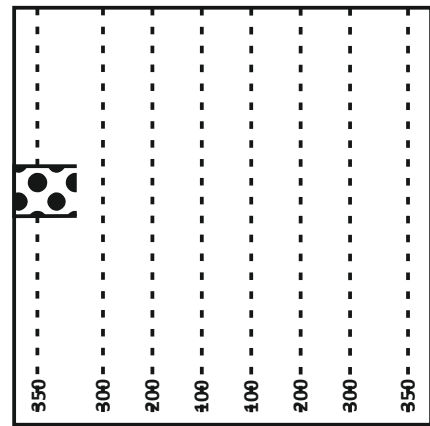
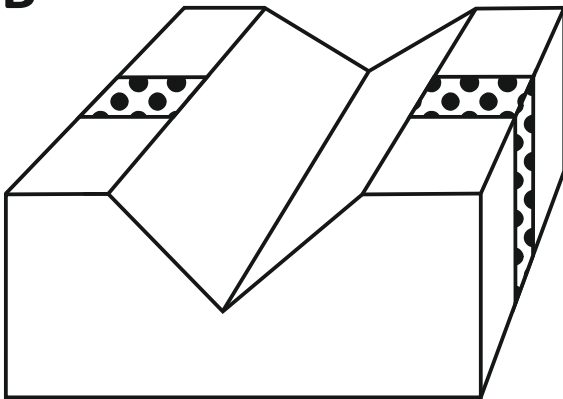


# Exercise worksheet 1: V-outcrop patterns

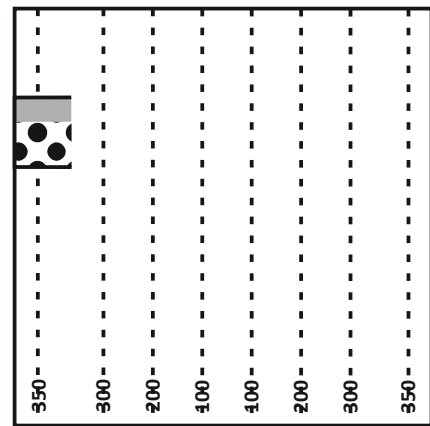
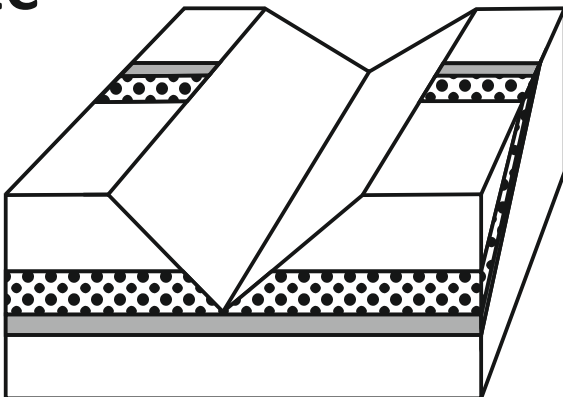
1A



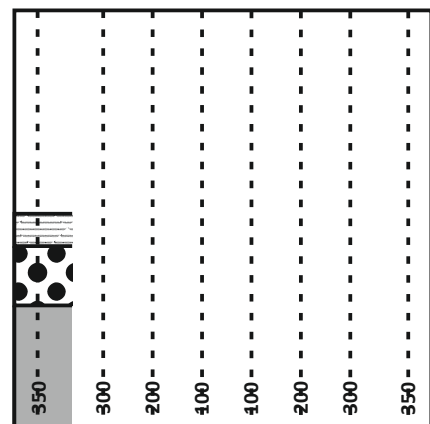
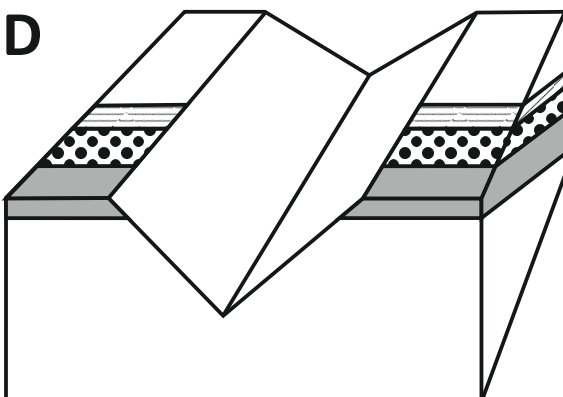
1B



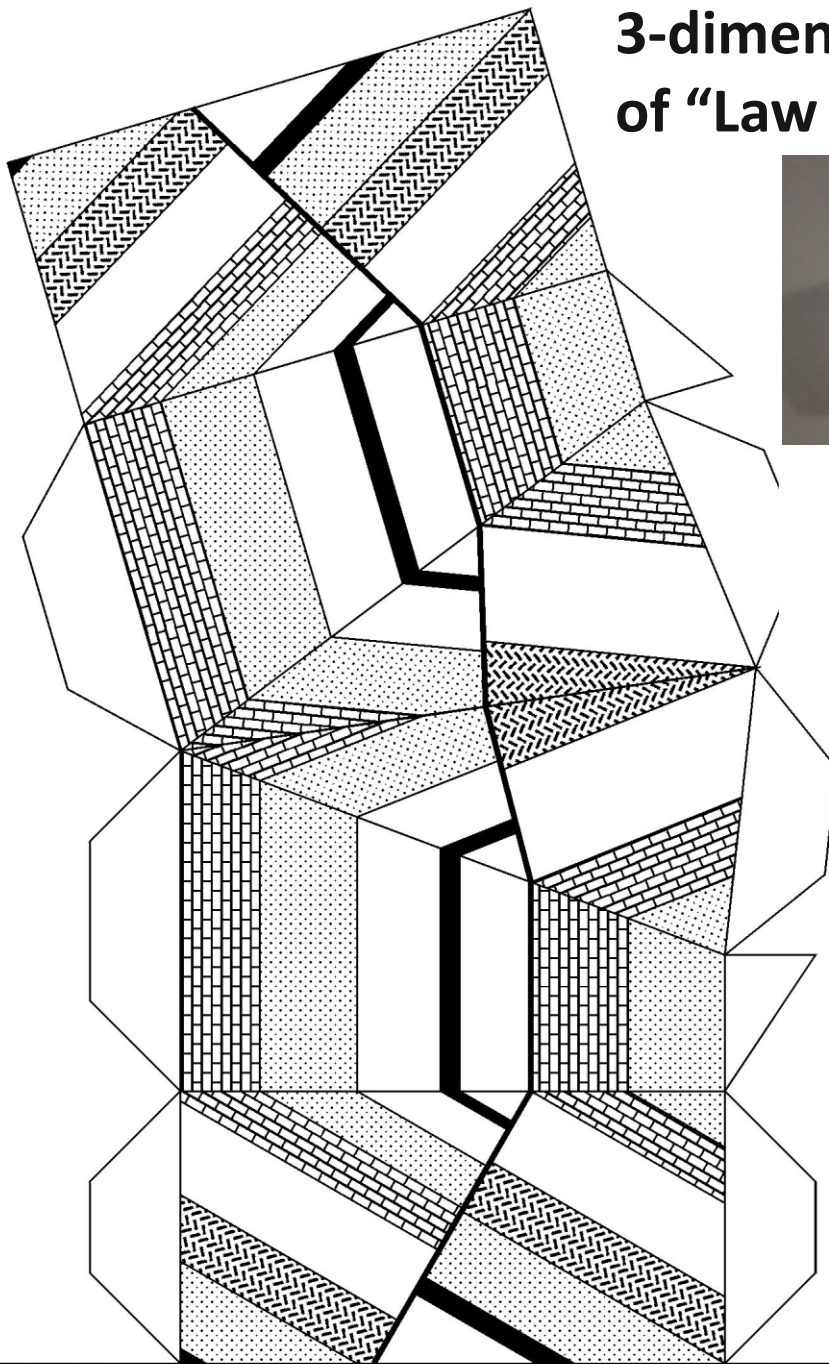
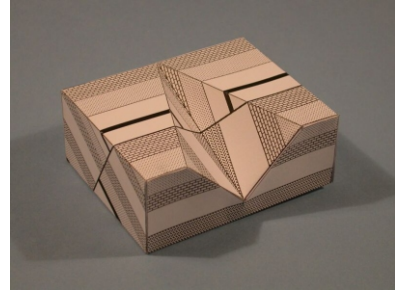
1C



1D



# 3-dimensional model of "Law of V's"



Fault Analysis Group  
Department of Geology  
University College Dublin  
Belfield, Dublin 4  
Ireland  
[www.fault-analysis-group.ucd.ie](http://www.fault-analysis-group.ucd.ie)

